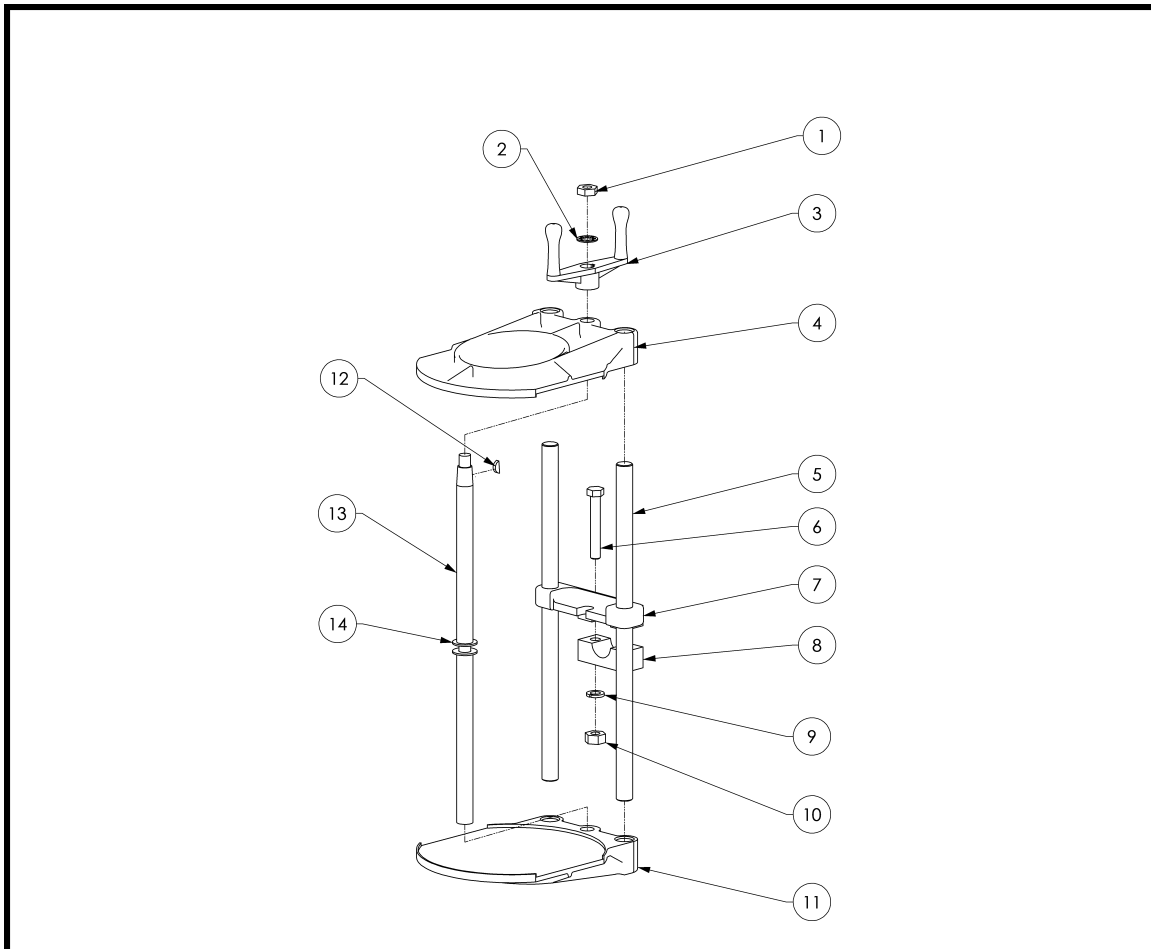




# DC-50 Clamp Assembly



Item	Qty.	Part Number / Description	Item	Qty.	Part Number / Description
1	1	7/16-20 Jam hex nut	8	1	PIM-10242 Clamping block
2	1	7/16" Lock washer, internal tooth	9	2	3/8" Lock washer
3	1	MDC-104 Clamp handle, MDC	10	2	3/8-24 Hex nut
4	1	MDC-101 MDC Clamp plate, top	11	1	MDC-102 MDC clamp plate, bottom
5	2	MDC-103 Guide rod, MDC	12	1	#404 Woodruff key
6	2	Hex head tap bolt 3/8-24 x 2.50	13	1	MDC-106 Clamp lead screw, MDC
7	1	MDC-105 Guide rod holder, MDC	14	2	Thrust bearing, MDC clamp