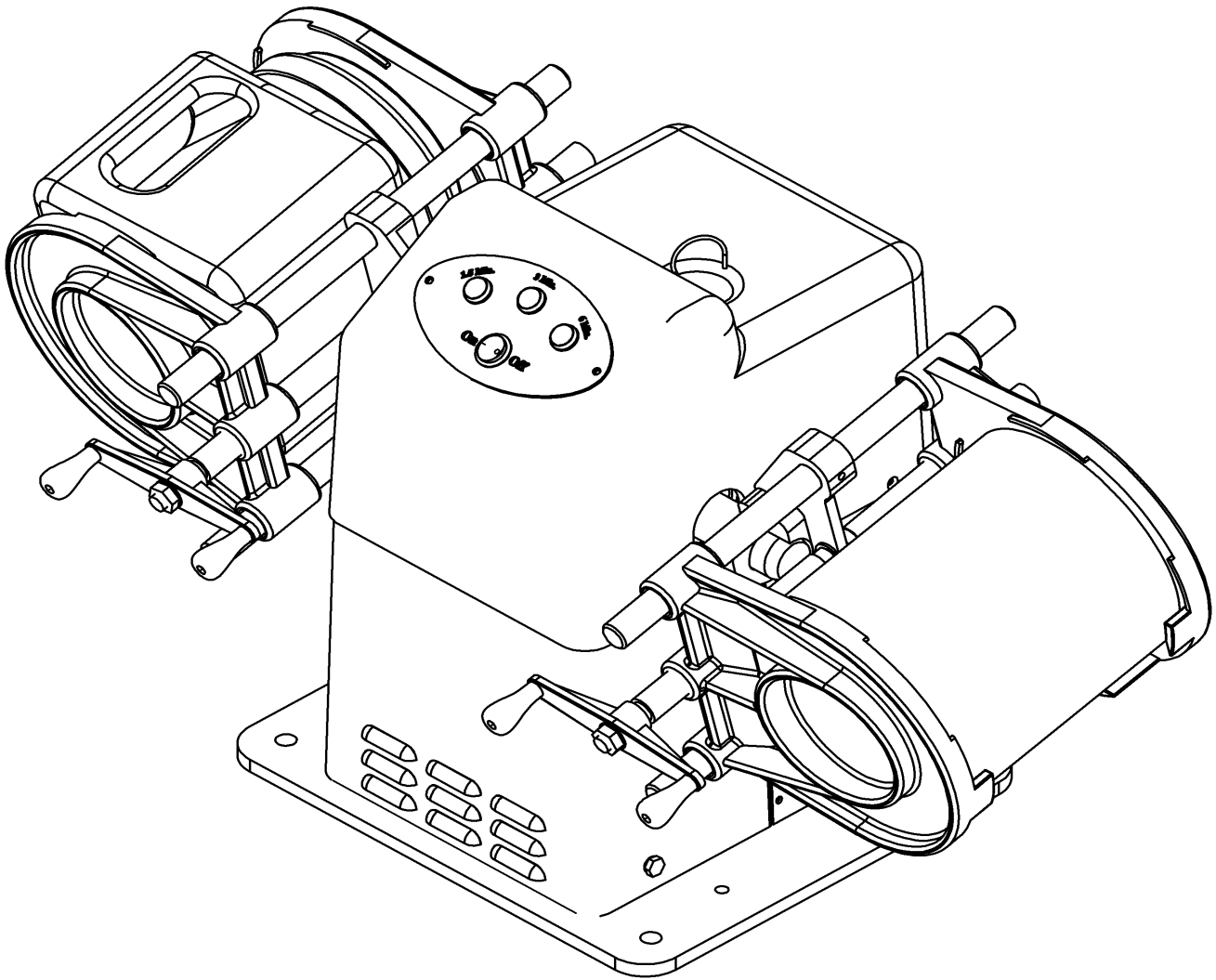


Replacement Clamps

(For use on all Pacer Industrial Mixers and Red Devil 5400 Mixers)



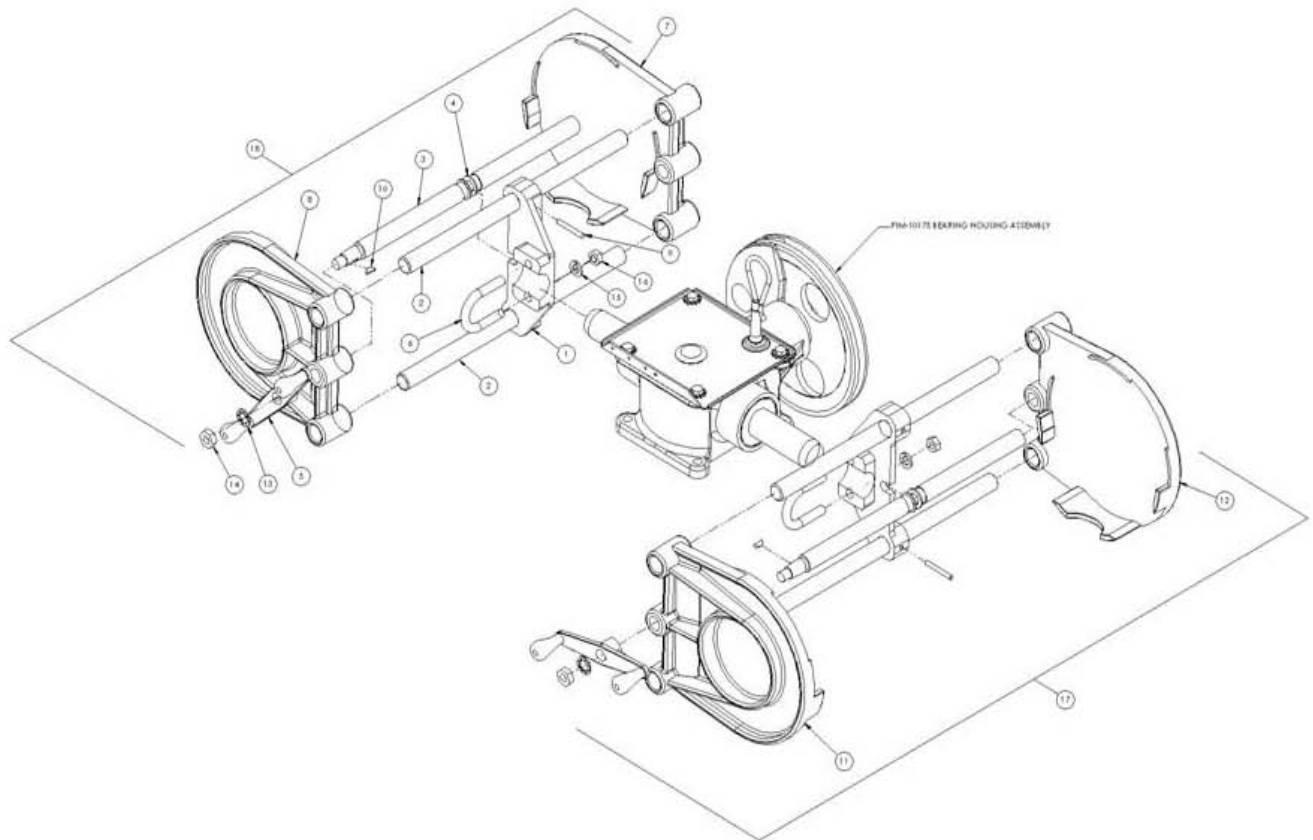
PIM-10174 Left clamp assembly

For use on Single arm & Dual arm mixers

PIM-10173 Right clamp assembly

For use on Dual arm mixer only

Replacement Clamp Parts List



<u>Item</u>	<u>Qty.</u>	<u>Part Number / Description</u>
1	2	PIM-10016 Clamp rod holder
2	4	PIM-10017 Clamp rod
3	2	PIM-10019 Clamp lead screw
4	4	PIM-10021 Thrust bearing
5	2	PIM-10023 Crank handle
6	2	PIM-10022 U-bolt
7	1	PIM-10020 Clamp plate, left rear
8	1	PIM-10111 Clamp plate, left front
9	5	PIM-10018 Rollpin, 3/16 x 1.50

<u>Item</u>	<u>Qty.</u>	<u>Part Number / Description</u>
10	2	PIM-10157 #404 Woodruff key
11	1	PIM-10024 Clamp plate, right front
12	1	PIM-10025 Clamp plate, right rear
13	2	PIM-10124 Lockwasher, internal tooth 7/16
14	2	PIM-10129 Nut, hex jam 7/16-20
15	4	PIM-10172 Lockwasher, split 3/8
16	4	PIM-10127 Nut, hex 3/8-16
17	1	PIM-10174 Left clamp assembly Complete
18	1	PIM-10173 Right clamp assembly Complete